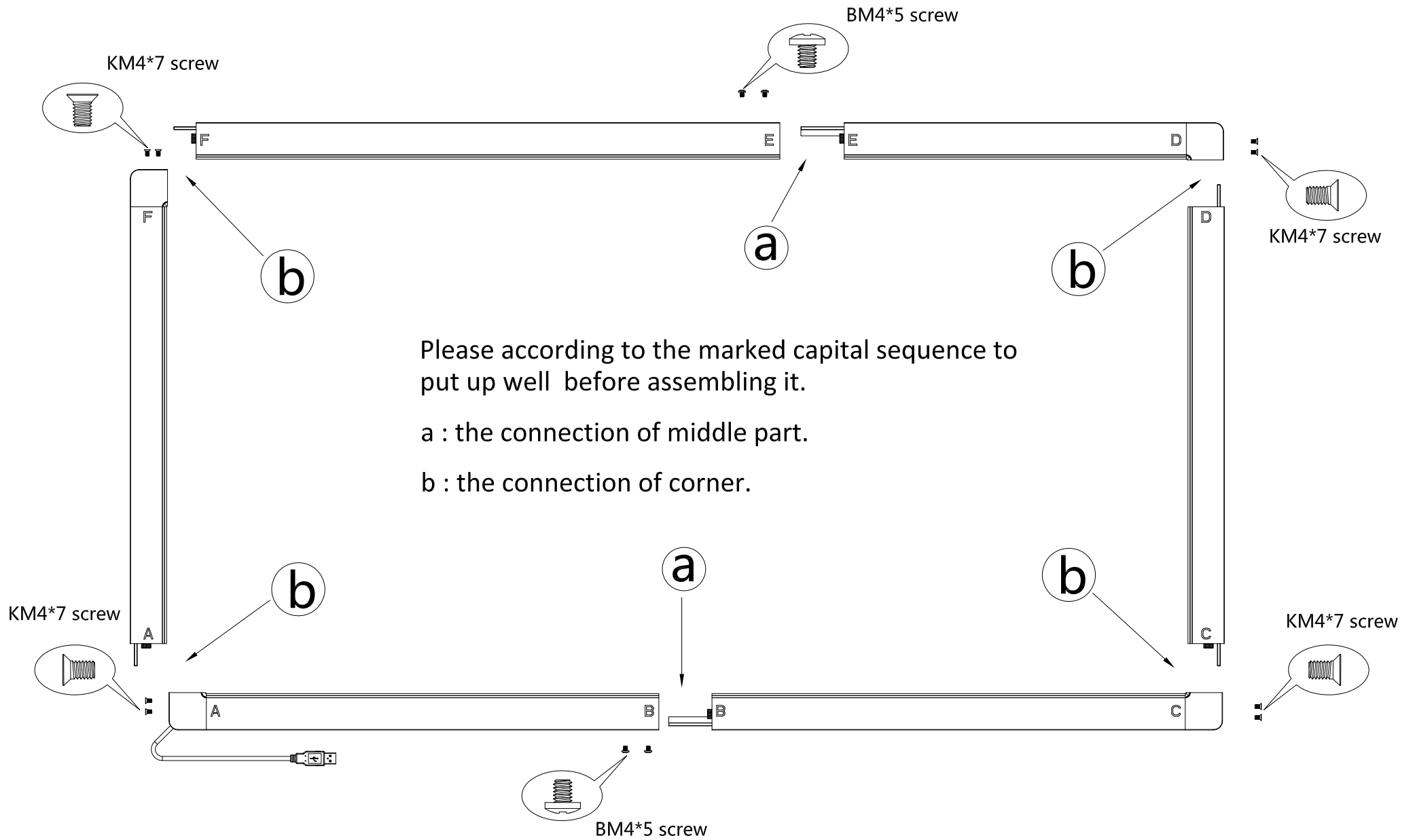


Step 1

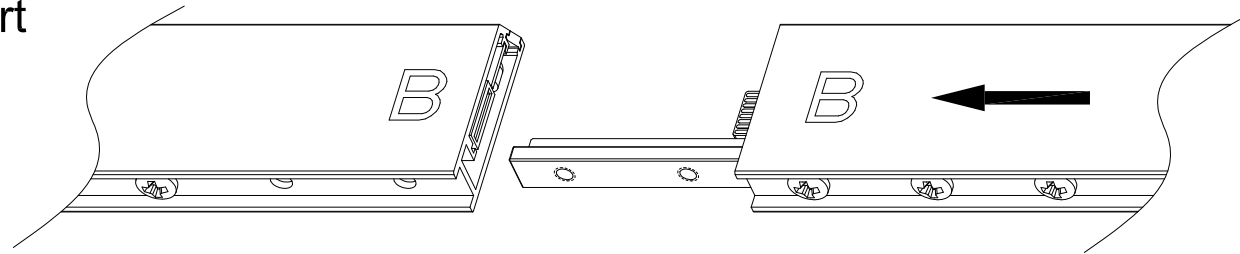


Step 2

To assemble the a part

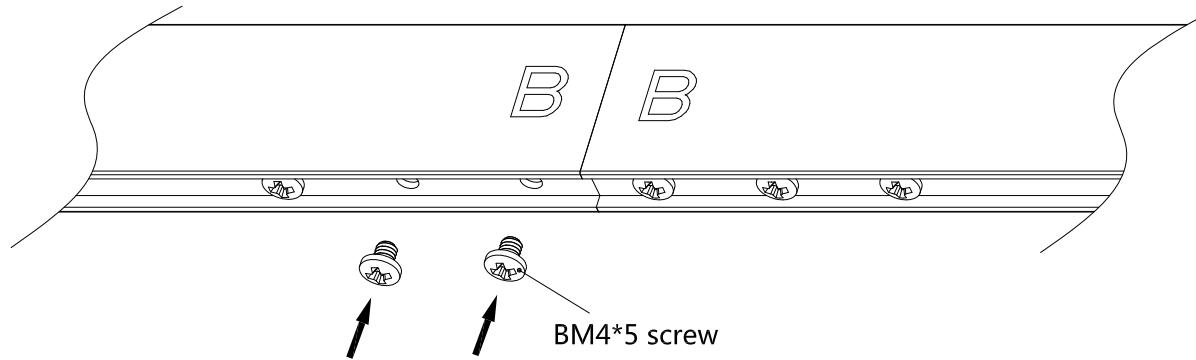
a

①



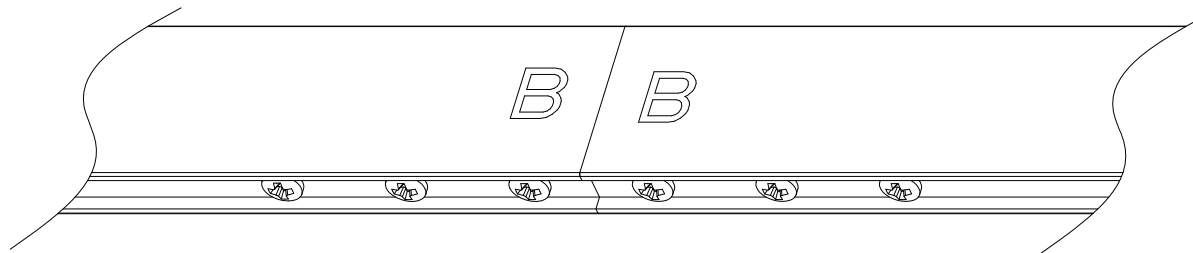
Please connect well the two parts which marked the same capital.

②



To lock two BM4*5 screws on the side.

③



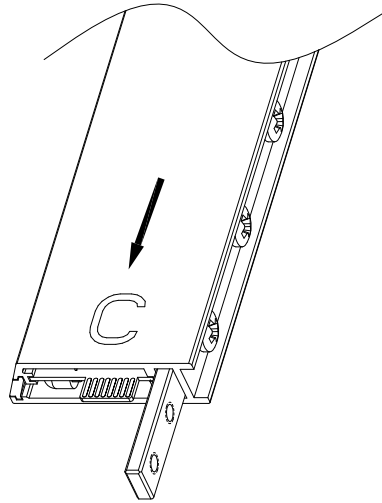
Complete the assembly.

Step 3

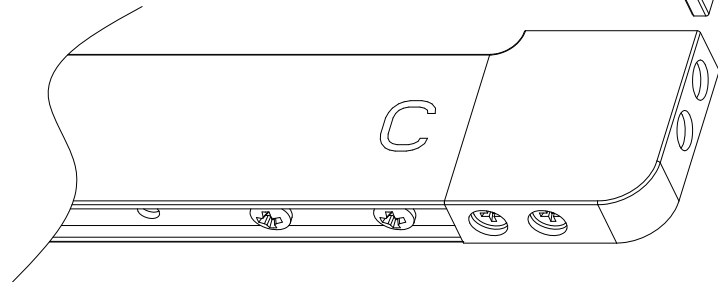
To assemble the b part

b

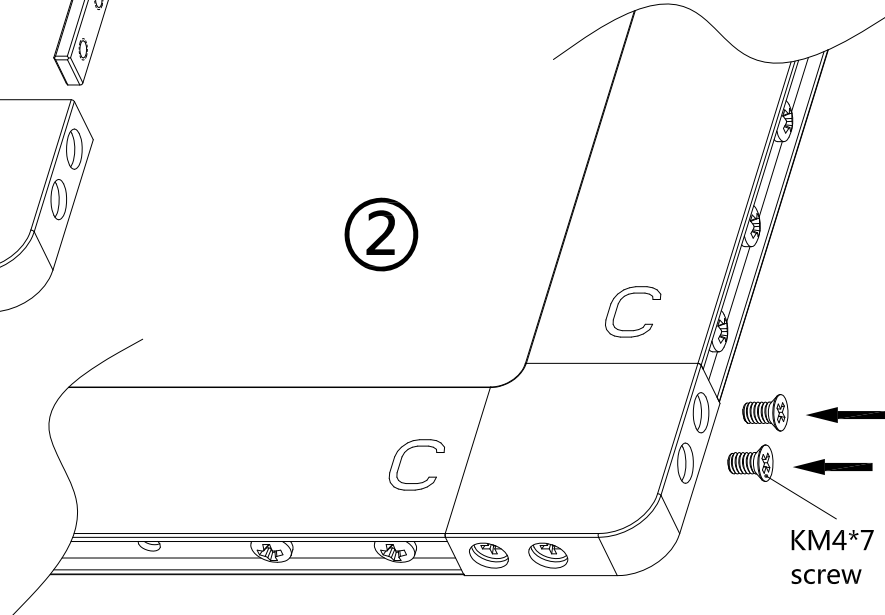
①



②

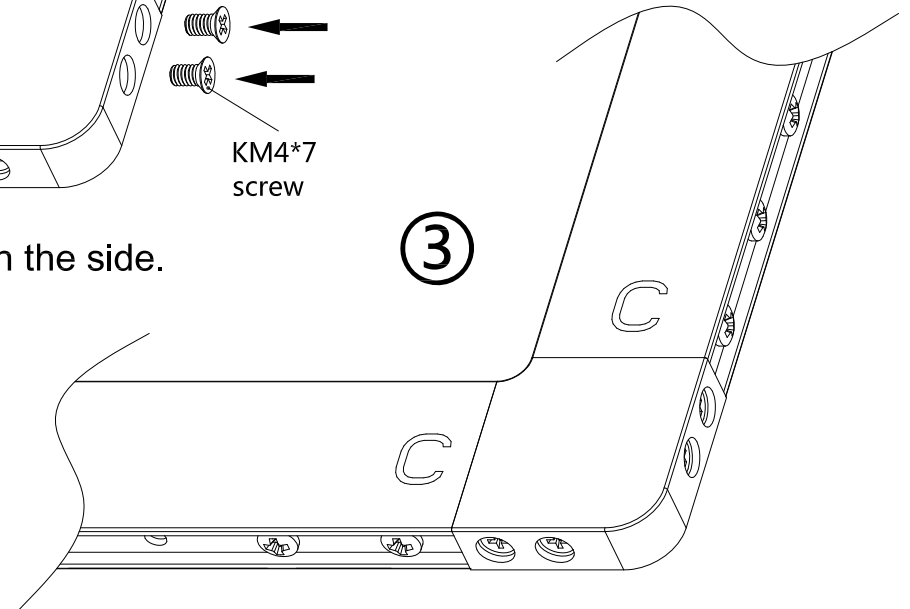


Please connect well the two parts which marked the same capital.



To lock two KM4*7 screws on the side.

③



Complete the assembly.

Step 4

Complete the multi-touch screen assembly

